

DRB OPEN RACK

Standard

Comply with ANSI/EIA RS-310-D, DIN41491; PART1, IEC297-2, DIN41494; PART7, GB/T3047.2-92.
Compatible with metric, ETSI and 19" international standard.

Features

- ▶ Modular design, easily assemble and disassemble for delivery, low cost.
- ▶ Various optional accessories according to requirements.
- ▶ Static load: 150kg
- ▶ Level of protection: IP20
- ▶ Surface finish: Degreased, acid cleaned, phosphoric, water cleaned, electro-static powder coating, meet ROHS standard.
- ▶ Optional color: black/gray
- ▶ Optional accessories.



DRB OPEN RACK

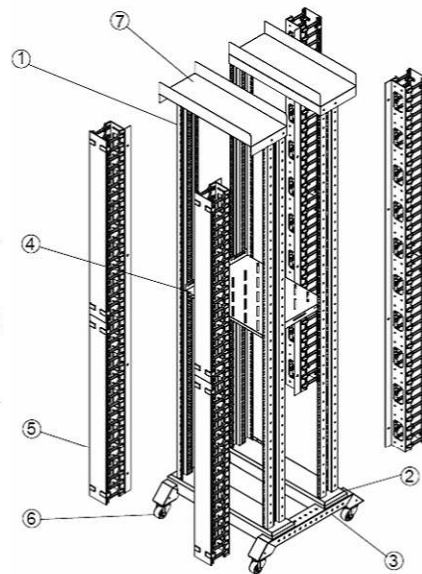
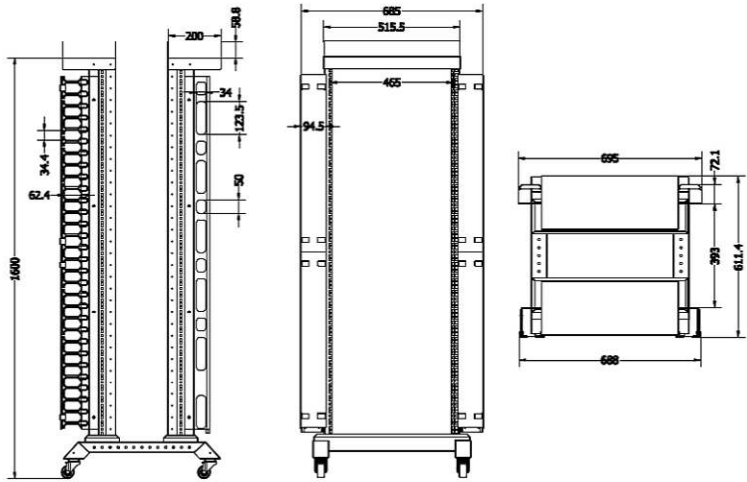
Materials

Cool rolled steel
Thickness: Vertical rail:1.5mm
Else in 1.2mm
Tempered smoky-gray glass with thickness of 5mm.

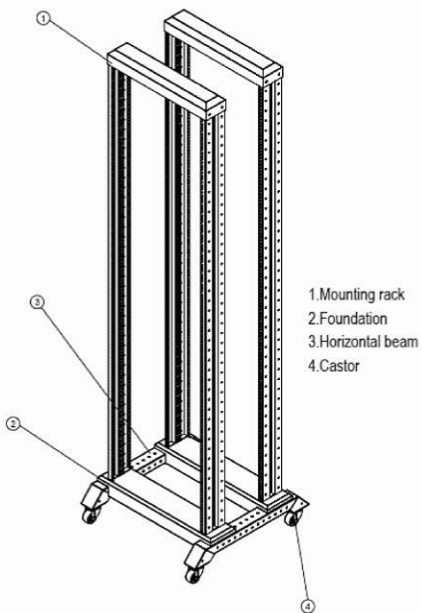
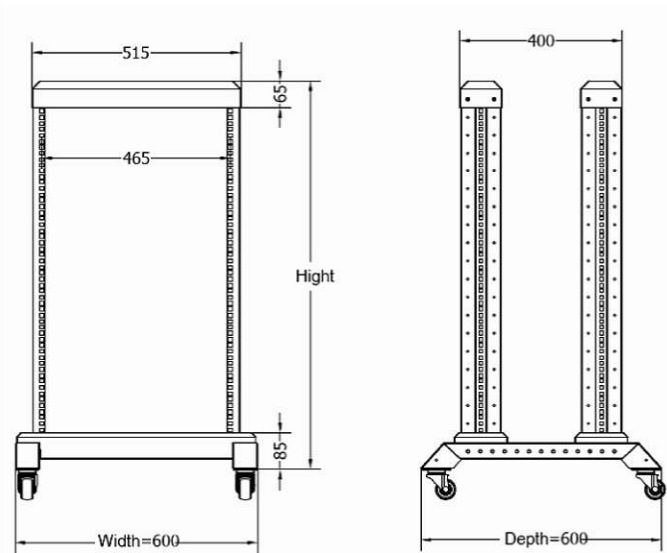
Application

Widely used in network system, educational system, broadcasting system and telecommunication system. Suitable for placing server computer and precision electronic equipments.

STRUCTURAL



STRUCTURAL



Standard Accessories

S/N	Specification	Qty	Unit	Material	Surface Finish	Remark
1	Mounting rack	4	Pcs	1.2mm cold rolled steel	Powder coated	---
2	Foundation	2	Pcs	1.5mm cold rolled steel	Powder coated	---
3	Horizontal beam	2	Pcs	1.5mm cold rolled steel	Powder coated	---
4	Castor	4	Pcs	---	---	---
5	Screws &nuts	10	sets	---	---	---
6	Wrench	1	Pcs	---	---	---

Order Information

Part No	Capacity/U	Width/mm	Depth/mm	Height/mm	Carton measurement WxDxH(mm)	Volume/CBM
CS-CRB18-66	18U	600	600	1040	0.63 x 0.31 x 1.00	0.1953
CS-CRB22-66	22U	600	600	1222	0.63 x 0.31 x 1.18	0.2305
CS-CRB27-66	27U	600	600	1444	0.63 x 0.31 x 1.40	0.2734
CS-CRB32-66	32U	600	600	1555	0.63 x 0.31 x 1.63	0.3183
CS-CRB37-66	37U	600	600	1666	0.63 x 0.31 x 1.85	0.3613
CS-CRB42-66	42U	600	600	1888	0.63 x 0.31 x 2.07	0.4043
CS-CRB47-66	47U	600	600	2110	0.63 x 0.31 x 2.29	0.4472

COLOR

	
A Black(RAL9004) 	B Gray(RAL7044) 