

NETWORK CABINET & ENCLOSURE

Application

Widely applied in finance, securities and data center; adopted by the professional servers' & switches network providers as other companies.

Features

- ▶ Exquisite design with precise craftsmanship
- ▶ Good compatibility, adapt to more servers. Perfect ventilation
- ▶ Vented front door and rear door enable ventilation and reliable operation
- ▶ The top and bottom wiring channel can be closed and adjusted.
- ▶ Optional plinth to meet under base wiring, ventilation and rat-proof
- ▶ Rack's side panel can be easily assembled.
- ▶ Efficient and solid cabinet connection
- ▶ Adjustable feet and heavy duty castors are available at the same time , static loading: 800kg.(with adjustable feet).
- ▶ Advanced lock
- ▶ Surface finish: degreasing, pickling, phosphating, powder coating
- ▶ Available in black and gray
- ▶ Height, width, and depth selectable, full range of optional accessories.

Materials

Cold-rolled steel sheet. Thickness for frame 1.2mm, mounting rail 2.0mm (1.5mm for 600mm depth cabinet), fixed shelf 1.2mm , side panel 1.2mm. Thickness for smoky grey glass 5mm.

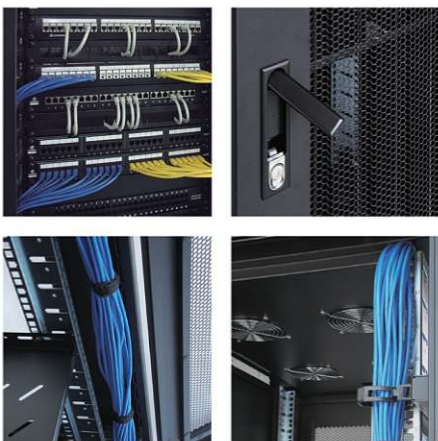
Standard

Comply with ANSI/EIARS-310-D, DIN41491; PART1, IEC297-2, DIN41494; PART7, GB/T3047.2-92 standard. Compatible with metric ETSI and 19 inch international standard.

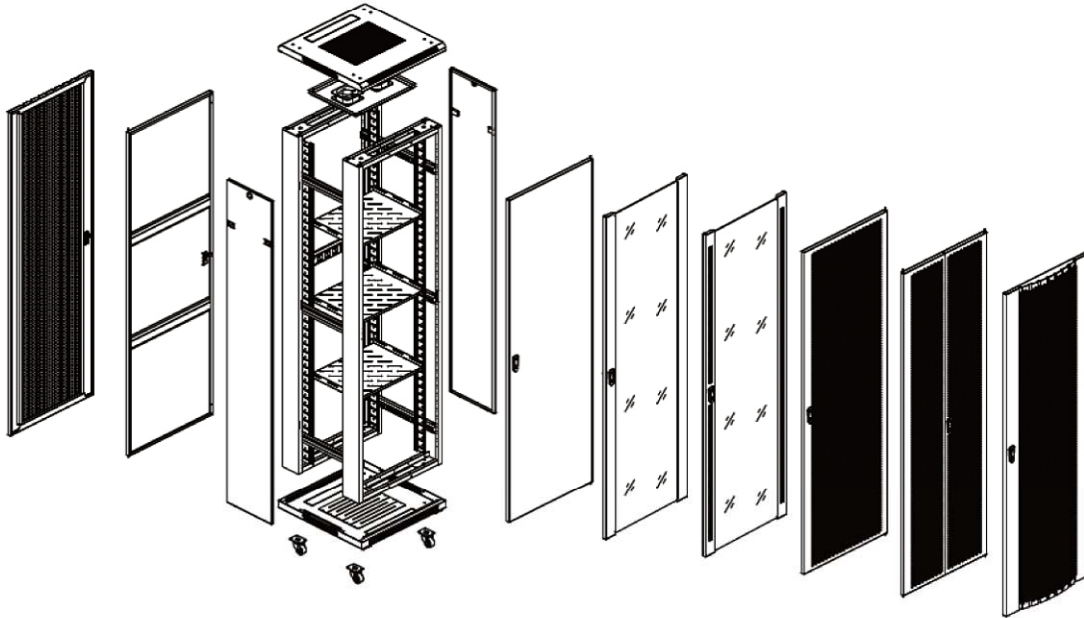


NETWORK CABINET & ENCLOSURE

CABINET



STRUCTURAL (WIDTH 600MM)



STRUCTURAL (WIDTH 600MM)



Lockable side panels
Are removable with handle for better handling.



Cabinet fans
Cabinets are equipped with four top mounting fans to help airflow for server cooling.



Doors
Are removable with locking latches and do not require tools.



Heat Management
For high-density server installations, a fan door is available



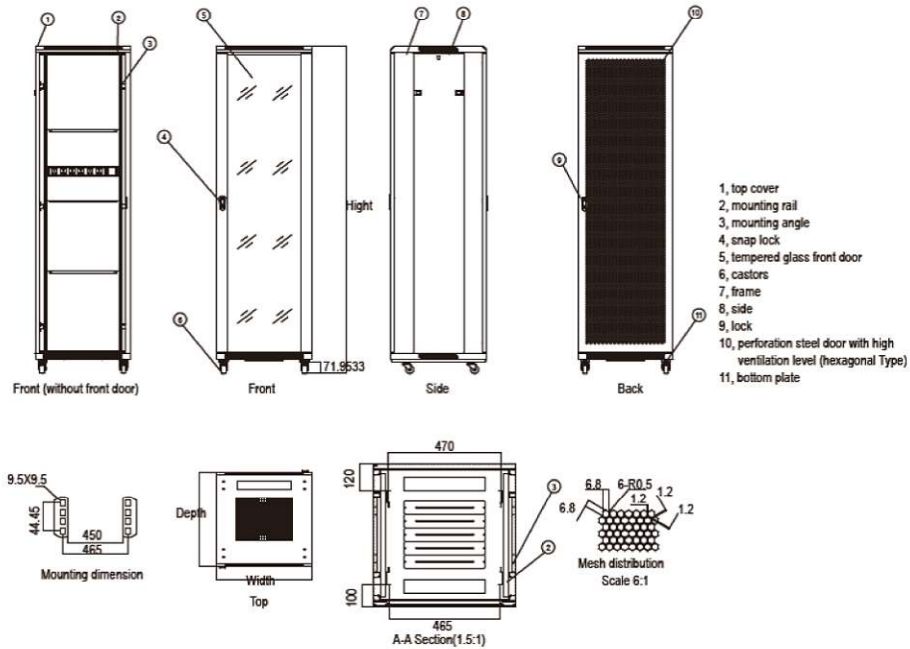
Cabinets
Are equipped with solid levelers and multi-directional casters.



Cabinet Base
is open to allow fresh airflow within the cabinet.

DIMENSION (MM)

mm Unit of Measurement:mm



DIMENSION (MM)



Crescent Lock



Fixed Shelf



Asily Assembled Side Panel



Bottom Plate



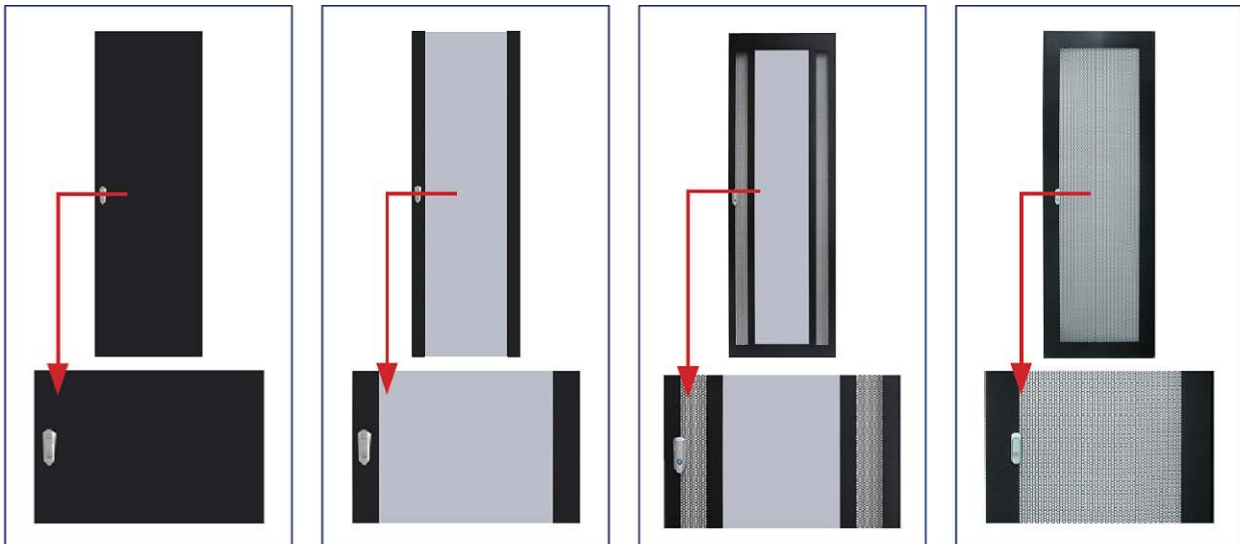
Symmetrical Frame



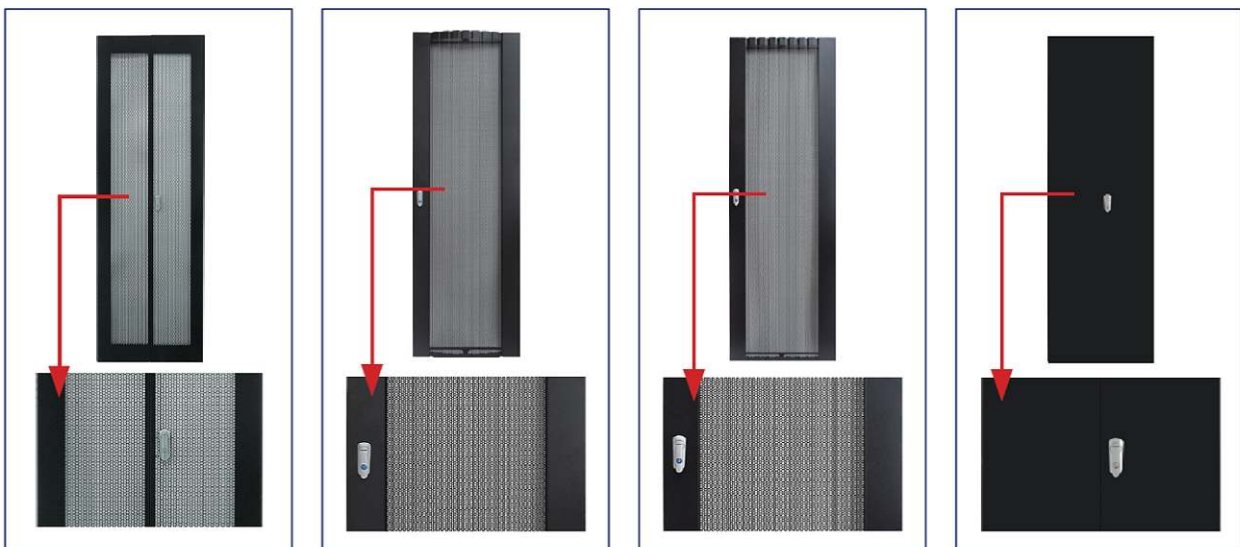
Mounting Rail with U Mark

DOORS





A steel casement door	B smoky-gray glass door	C Smoky-gray glass door with both sides punched	D Perforation steel door
--------------------------	----------------------------	---	-----------------------------



F double swing steel door (perforated)	H curved concavo-convex perforation steel door (hexagonal Type)	I concavo-convex perforation steel doo (hexagonal Type)	J double swing steel door
--	---	---	------------------------------



COLOR

 A	 B
A Black(RAL9004) 	B Gray(RAL7044) 

DIMENSION (MM)

Standard Accessories

S/N	Specification	Qty	Unit	Material	Surface Finish	Remark
1	Top cover	1	Pcs	1.2mm cold rolled steel	Powder coated	---
2	Frame (nine-fold section steel)	2	Pcs	1.2mm cold rolled steel	Powder coated	---
3	Front door	1	Pcs	1.2mm cold rolled steel	Powder coated	Btype door"13"
4	Side panel	4	Pcs	1.2mm cold rolled steel	Powder coated	With lock
5	back door	1	Pcs	1.2mm cold rolled steel	Powder coated	A type door
6	Lock	1	Pcs	---	---	---
7	Mounting rail	6	Pcs	2.0mm cold rolled steel	Powder coated	---
8	Mounting angle	4	Pcs	1.2mm cold rolled steel	Powder coated	---
9	Bottom plate	6	Pcs	1.2mm cold rolled steel	Powder coated	---
10	Spacer	2	Pcs	---	---	Width 800mm
11	Heavy duty castors	4	Pcs	---	---	---
12	Feet	4	Pcs	---	---	---
13	Cage and nuts	40	sets	---	---	20pcs under 32u
14	Wrench	1	Pcs	---	---	---

Order Information

Part No	Capacity/U	Width/mm	Depth/mm	Height/mm	Carton measurement WxDxH (mm)	Volume/CBM
CS-NFC3766-XXX	37U	600	600	1833	630×630×1860	0.74
CS-NFC3768-XXX		600	800		630×830×1860	0.97
CS-NFC37610-XXX		600	1000		630×1040×1860	1.22
CS-NFC3788-XXX		800	800		830×830×1860	1.28
CS-NFC37810-XXX		800	1000		830×1040×1860	1.61
CS-NFC4266-XXX	42U	600	600	2055	630×630×2080	0.83
CS-NFC4268-XXX		600	800		630×830×2080	1.09
CS-NFC42610-XXX		600	1000		630×1040×2080	1.36
CS-NFC4288-XXX		800	800		830×830×2080	1.43
CS-NFC2810-XXX		800	1000		830×1040×2080	1.80
CS-NFC4766-XXX	47U	600	600	2277	630×630×2300	0.91
CS-NFC4768-XXX		600	800		630×830×2300	1.20
CS-NFC47610-XXX		800	1000		630×1040×2300	1.51
CS-NFC4788-XXX		800	800		830×830×2300	1.58
CS-NFC47810-XXX		800	1000		830×1040×2300	1.99

► Product Part Number Description:	CS	---	NFC	X	X	X	---	X	X	X
	Brand Icon		Products Series	Height	Width	Depth		Front Door	Back Door	Color