

WDC CABINET & ENCLOSURE

Application

Widely used in network system, educational system, broadcasting system and telecommunication system. Suitable for placing server computer and precision electronic equipments.

Features

- ▶ Exquisite design with precise dimension and craftsmanship. APPLICATION
- ▶ International popular smoky-gray glass front door.
- ▶ Easily be mounted on wall, or placed on floor after installed castor or feet.
- ▶ Loading capacity: 60KG.
- ▶ Top and bottom wiring channel could be closed.
- ▶ Removable front door and side panel, easily installing and maintaining
- ▶ Surface finish: Degreased, acid cleaned, phosphoric, water cleaned, electro-static powder coating, meet ROHS standard.
- ▶ Optional color: black/gray
- ▶ Optional accessories.

Materials

Cool rolled steel
Thickness: Vertical rail:1.5mm
Else in 1.2mm
Tempered smoky-gray glass with thickness of 5mm.

Standard

Comply with ANSI/EIA RS-310-D, DIN41491; PART1, IEC297-2, DIN41494; PART7, GB/T3047.2-92.

Compatible with metric, ETSI and 19' international standard.

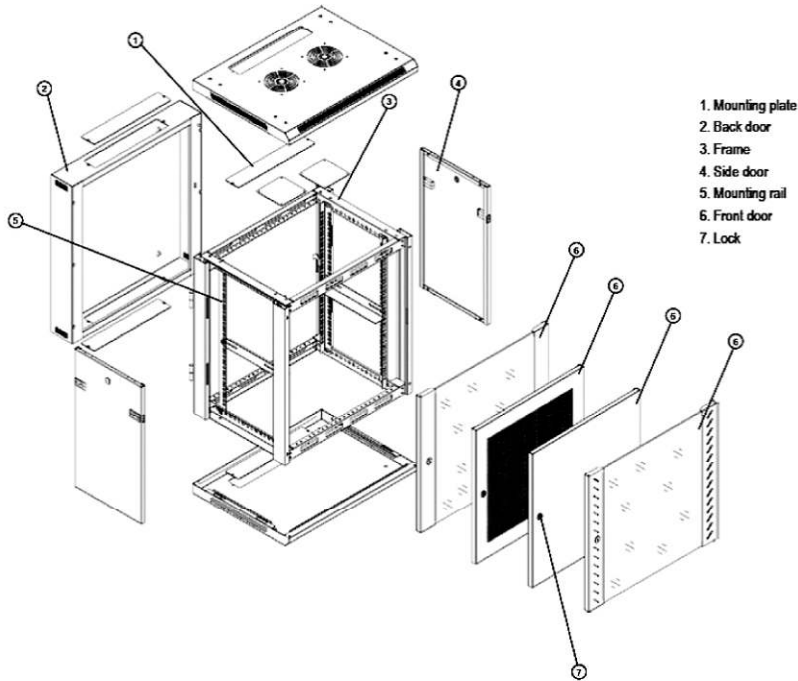


WDC CABINET

WDC CABINET & ENCLOSURE



STRUCTURAL

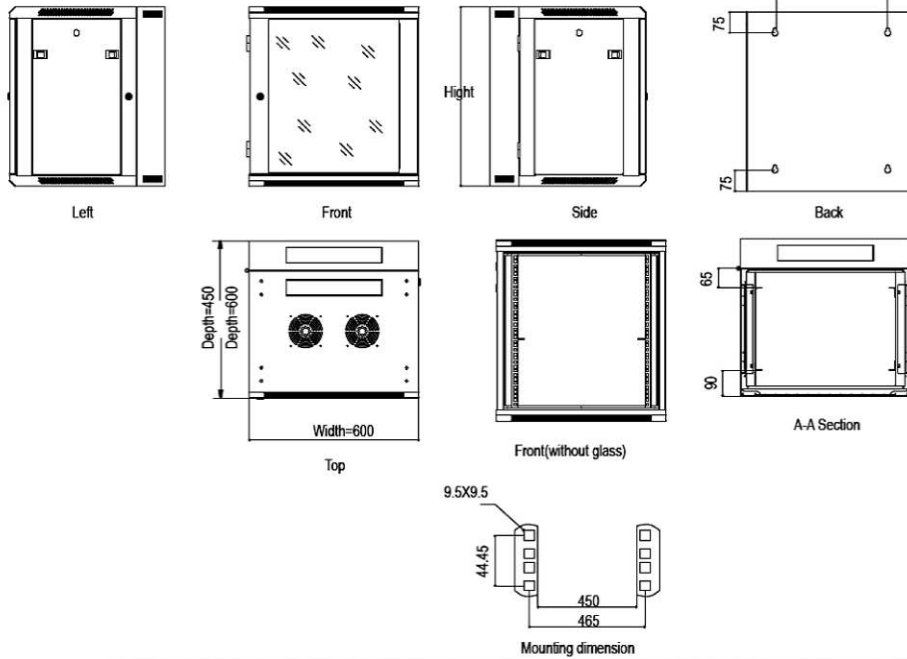


STRUCTURAL & DIMENSION

DIMENSION (MM)

mm Unit of Measurement:mm

mm Unit of Measurement:mm

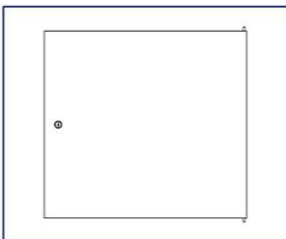
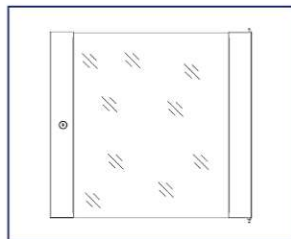
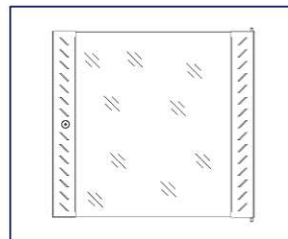
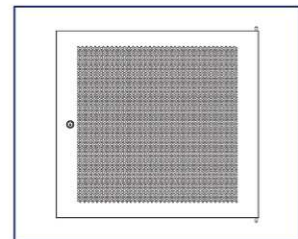


Standard Accessories

S/N	Specification	Qty	Unit	Material	Surface Finish	Remark
1	Frame	4	Pcs	1.2mm cold rolled steel	Powder coated	---
2	Front door	1	Pcs	1.2mm cold rolled steel	Powder coated	B type door
3	Side door	2	Pcs	1.2mm cold rolled steel	Powder coated	With lock
4	Back door	1	Pcs	---	Powder coated	---
5	Lock	1	Pcs	1.5mm cold rolled steel	---	---
6	Mounting rail	4	Pcs	1.2mm cold rolled steel	Powder coated	---
7	Mounting plate	1	Pcs	1.2mm cold rolled steel	Powder coated	---
8	Cable inlet cap	2	Pcs	---	Powder coated	---
9	Screws &nuts	10	sets	---	---	---
10	wrench	1	Pcs	---	---	---

Order Information

Part No	Capacity/U	Width/mm	Depth/mm	Height/mm	Carton measurement WxDxH(mm)	Volume/CBM
CS-WDC06-655-XXX	6U	600	550	368	0.67 x 0.62 x 0.43	0.18
CS-WDC09-655-XXX	9U	600	550	501	0.67 x 0.62 x 0.56	0.23
CS-WDC12-655-XXX	12U	600	550	635	0.67 x 0.62 x 0.70	0.29
CS-WDC15-655-XXX	15U	600	550	789	0.67 x 0.62 x 0.83	0.34
CS-WDC18-655-XXX	18U	600	550	901	0.67 x 0.62 x 0.96	0.40

DOORS
A
Steel Casement Door

B
Smoky-grey glass door

C
Smoky-grey glass door with frame punched

D
Perforation steel door with high ventilation level (hexagonal type)

COLOR

A Black(RAL9004)

B Gray(RAL7044)